

## GS-1000 ELECTRO-HYDRAULIC OUTRIGGER MOUNT



Introducing the revolutionary GS-1000 - the first electro-hydraulic-controlled outrigger system on the market. With the push of a button, the microprocessor-controlled system adjusts lift from 0° through 75° with incremental stops at 30°, 45° and 60°. Lift and rotation are driven by a 1,000-PSI hydraulic pump routed through a micro-controlled manifold and valve assemblies. The GS-1000 installs flush with the top, allowing hydraulic lines and wiring to be hidden below the mount. The GS-1000 pairs with TACO's new Twist & Lock Carbon Fiber Tele-Outrigger Poles.

### MOUNT SPECIFICATIONS

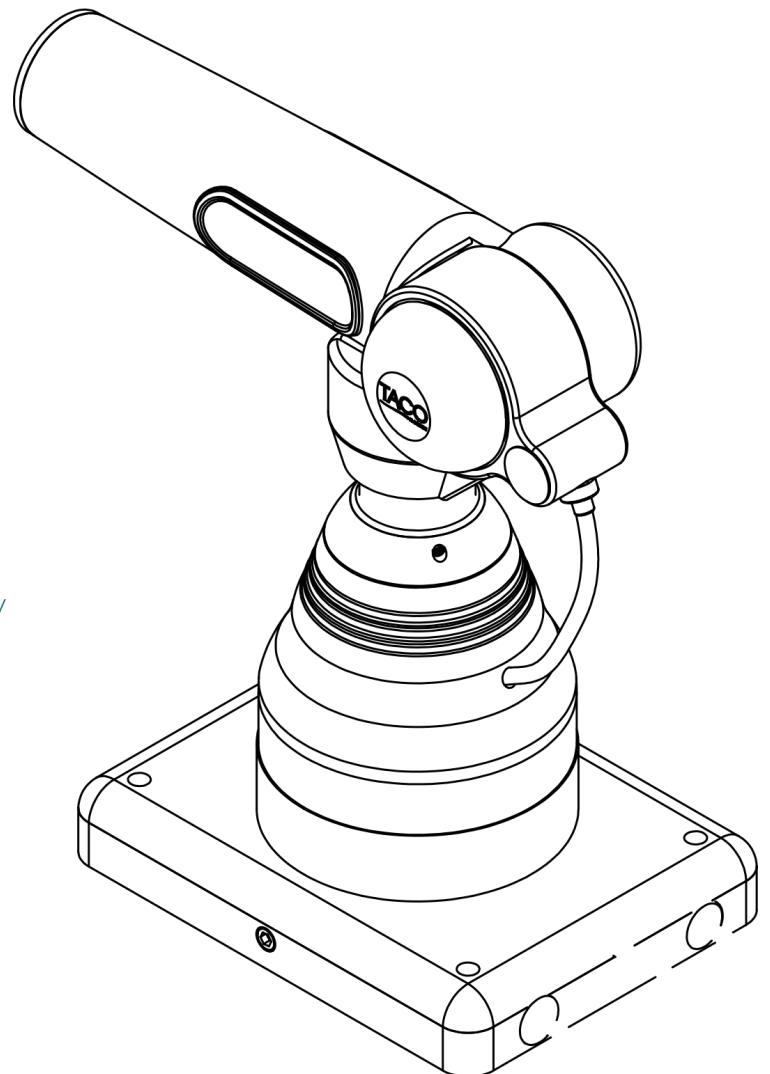
- Mount height: 11.75"
- Mount length: 11.00"
- Mount width: 6"
- Under-mount clearance needed: 3.5"
- Mounting plate: 6" x 8"
- Backing plate: 6.25" x 11.625"
- Mounting holes 5/16"
- Weight per head (no fluid): 21.5 lbs.
- Optimized for 20'-24' CF outriggers

### ELECTRICAL SPECIFICATIONS

- Control box dimensions: 8"L x 4"W x 3"D with IP67 seal
- Console switch panel: 4.25" x 5.5"
- Controller power consumption: 2 AMPS @12V
- Hydraulic pump power: 35 AMPS @ 12V
- Sensor cable provided 20' per mount

### HYDRAULIC SPECIFICATIONS

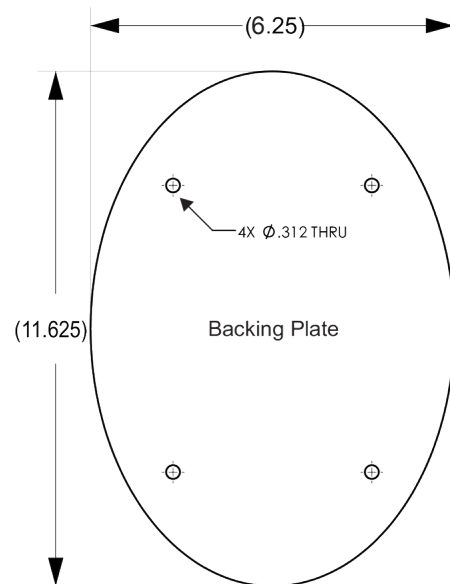
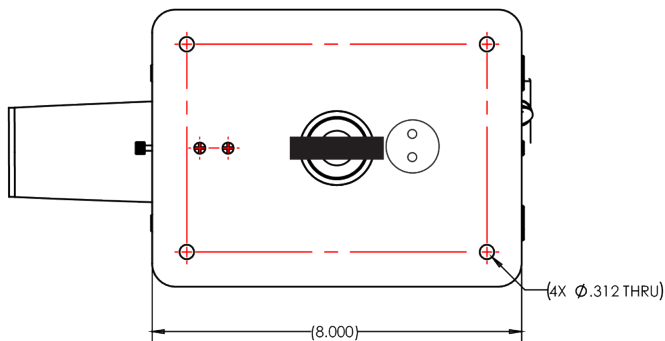
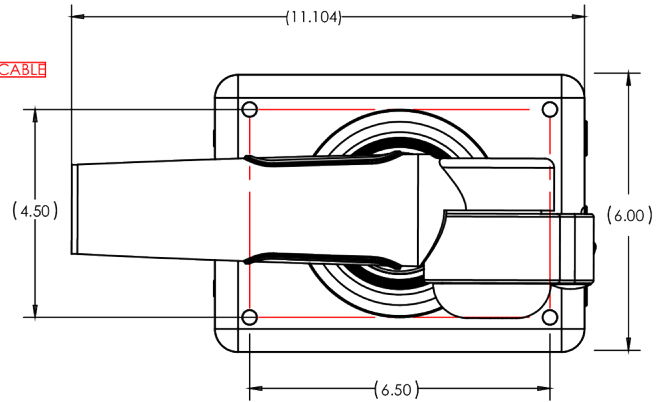
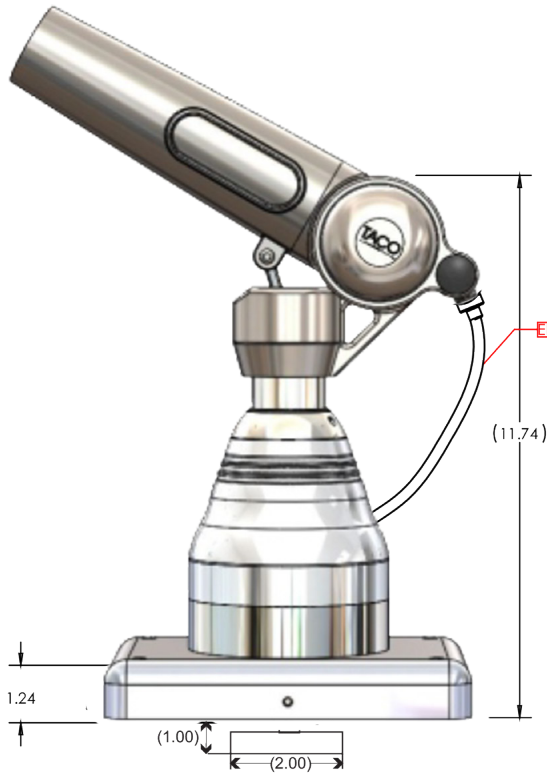
- Pump operational pressure: 1,000 lbs. PSI
- Tube size 1/4" O.D. 5/32" I.D. Burst strength 2500 lbs PSI
- 50' of tube provided per mount
- Manifold dimension: 9"L x 9"W x 4"D
- Manifold to control box cable: 4'
- Pump dimension: 10"H x 5"W x 5"D
- Manifold weight: 8 lbs.





## GS-1000 ELECTRO-HYDRAULIC OUTRIGGER MOUNT

### DIMENSIONS



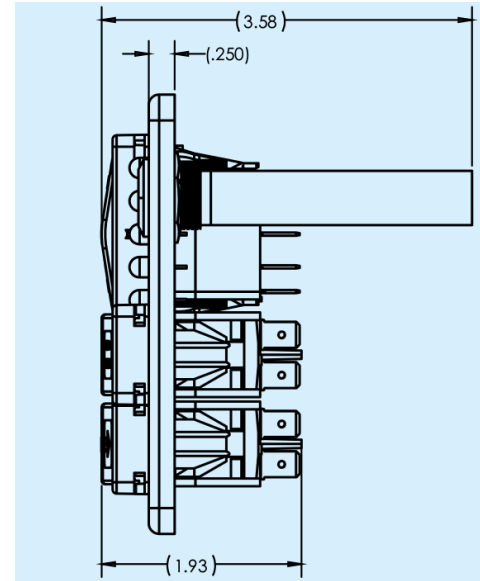
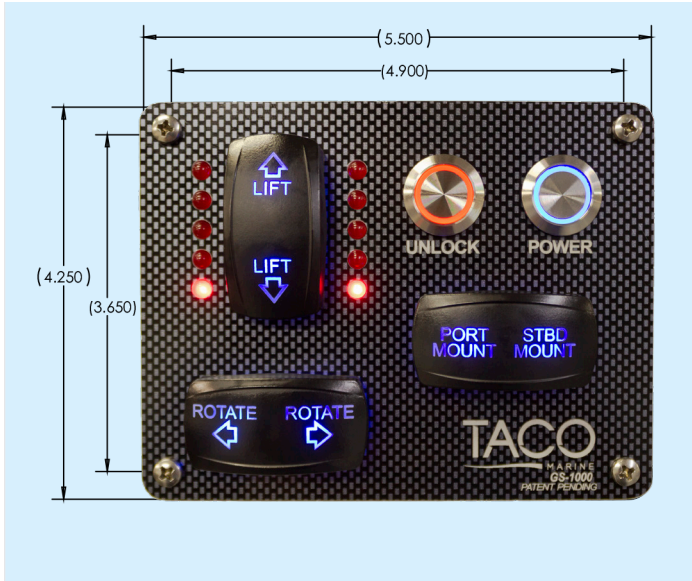
w tacomarine.com | ph 800.653.8568 | e info@tacomarine.com



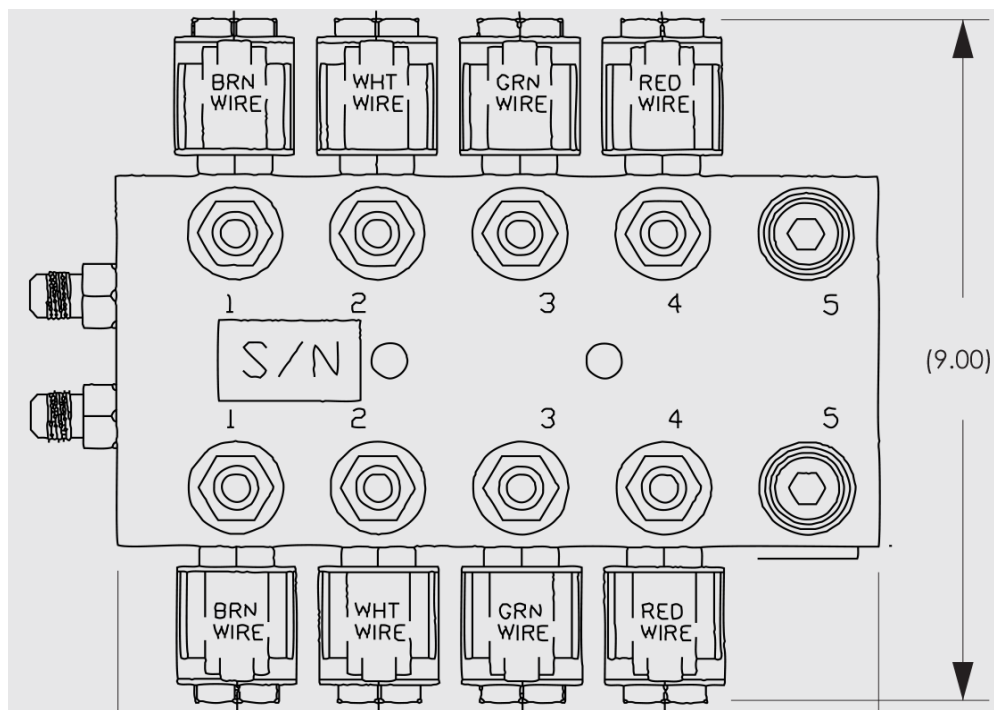


## GS-1000 ELECTRO-HYDRAULIC OUTRIGGER MOUNT

### CONTROL PANEL



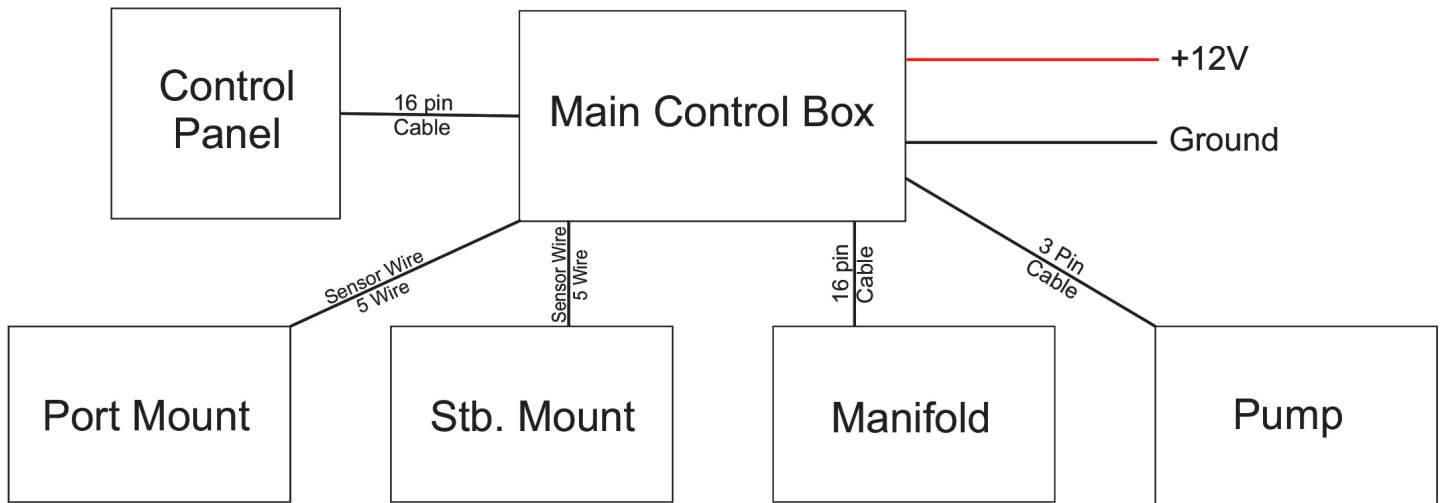
### MANIFOLD ASSEMBLY





## GS-1000 ELECTRO-HYDRAULIC OUTRIGGER MOUNT

### BLOCK DIAGRAMS - ELECTRICAL CONNECTIONS



### HYDRAULIC CONNECTIONS

